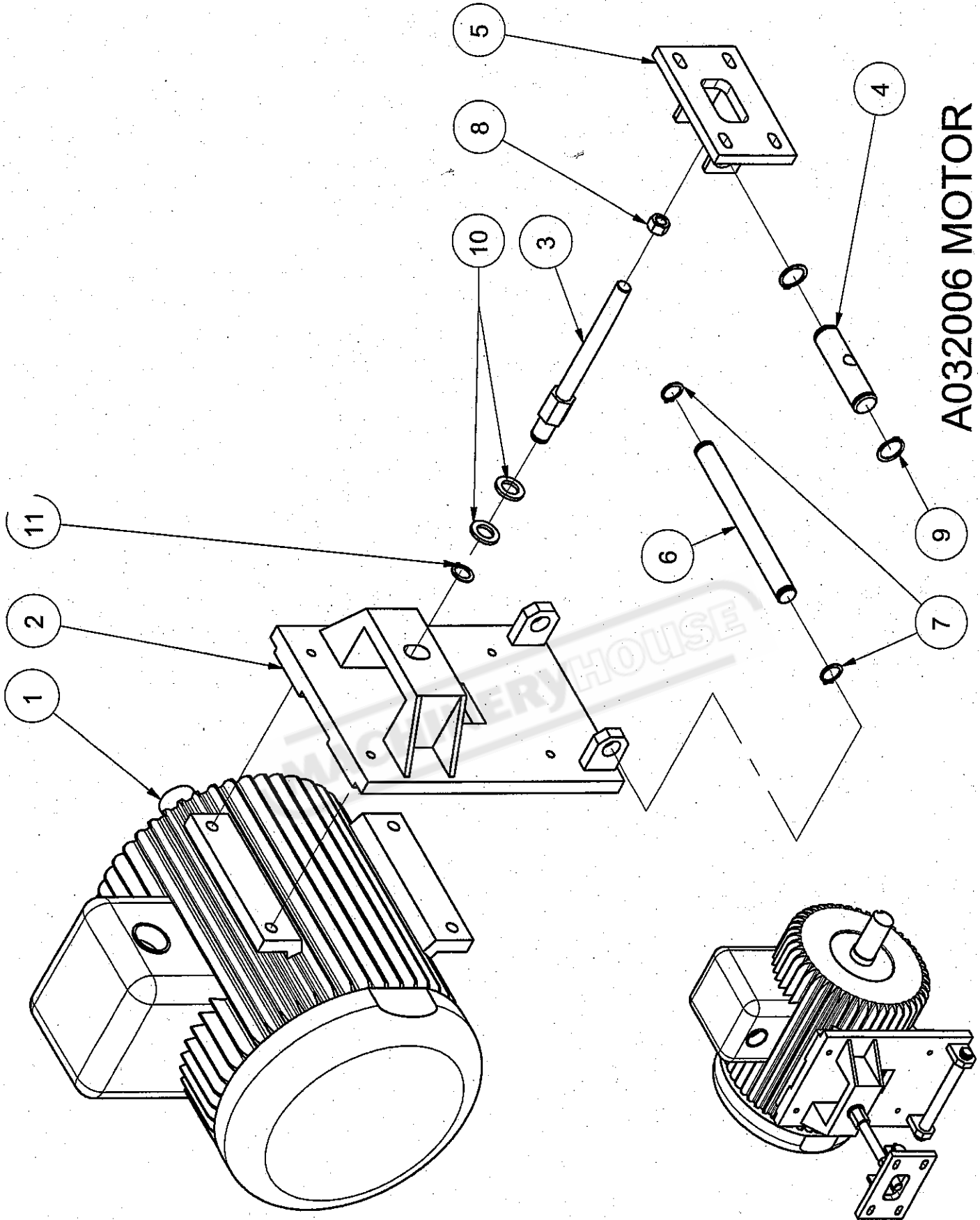


NO	QTY	TYPE	DESCRIPTION	NO	QTY	TYPE	DESCRIPTION
1	1	H03220600	WORM GEAR				
2	1	B02020700	UNDER COVER				
3	1	B02020800	OIL SEAL COVER				
4	1	B02020900	BEARING COVER				
5	1	B02021000	BEARING SLEEVE				
6	1	B02021100	BACK COVER				
7	1	H03220500	OUTPUT SHAFT (WORM SHAFT)				
8	1	H03220700	BEARING SLEEVE				
9	1	H03220800	GEAR BOX				
10	1	H03220900	DRIVING PULLEY SHAFT				
11	1	H03221100	UPPER COVER				
12	1	H03221200	BEARING COVER				
13	1	H03221500	NUT				
14	2	6007	CYLINDRICAL ROLLER BEARING				
15	2	30210J3	CYLINDRICAL ROLLER BEARING				
16	1	22212	SPHERICAL ROLLER BEARING				
17	1	AW12	GASKET				
18	2	AN12	BEARING NUT				
19	1	4TC65-85-10	OIL SEA				
20	1	65x2.5	C TYPE RETAINING RING				
21	1	35x1.6	C TYPE RETAINING RING				
22	1	G105	O RING				
23	1	16x16x60	DOUBLE ROUND KEY				
24	1	22215	SPHERICAL ROLLER BEARING				
25	1	4TC85-110-13	TC OIL SEAL				

A032002 GEAR BOX UNIT

NO	Q'TY	TYPE	DESCRIPTION	NO	Q'TY	TYPE	DESCRIPTION
1	2	5UJ-NI12	COUPLING				
2	1	B02031500	FLANGE BASE				
3	1	B02031600	ADJUSTING BASE				
4	1	B02031700	SHAFT				
5	1	B02031800	CHAIN WHEEL SHAFT				
6	1	B02031900	MOTOR COUPLING				
7	1	B02032900	DRIVING CHAIN WHEEL				
8	1	B02033000	DRIVED CHAIN WHEEL				
9	1	B02013401	PROTECTING COVER				
10	1	H03210300	CHIPPING DISCHARGE CHASE				
11	1	H03231900	DISCHARGE SCREW				
12	1	H03232700	CLEAN SCREW				
13	1	3HM-OMM32	HYDRAULIC MOTOR				
14	2	2DUF1210-20	LUBRICATING BEARING				
15	2	2DUF1810-26	LUBRICATING BEARING				
16	1	6x6x20	ROUND KEY				
17	1	5x5x15	ROUND KEY				
18	1	M8	SPRING WASHER				
19	1	M8X55L	HEXAGON FIXING SCREW				
20	2	M5x10	HEX BOLT				
21	2	M6x10	HEX BOLT				
22							
23							
24							
25							

A032003 CHIPPING CONVEYER UNIT

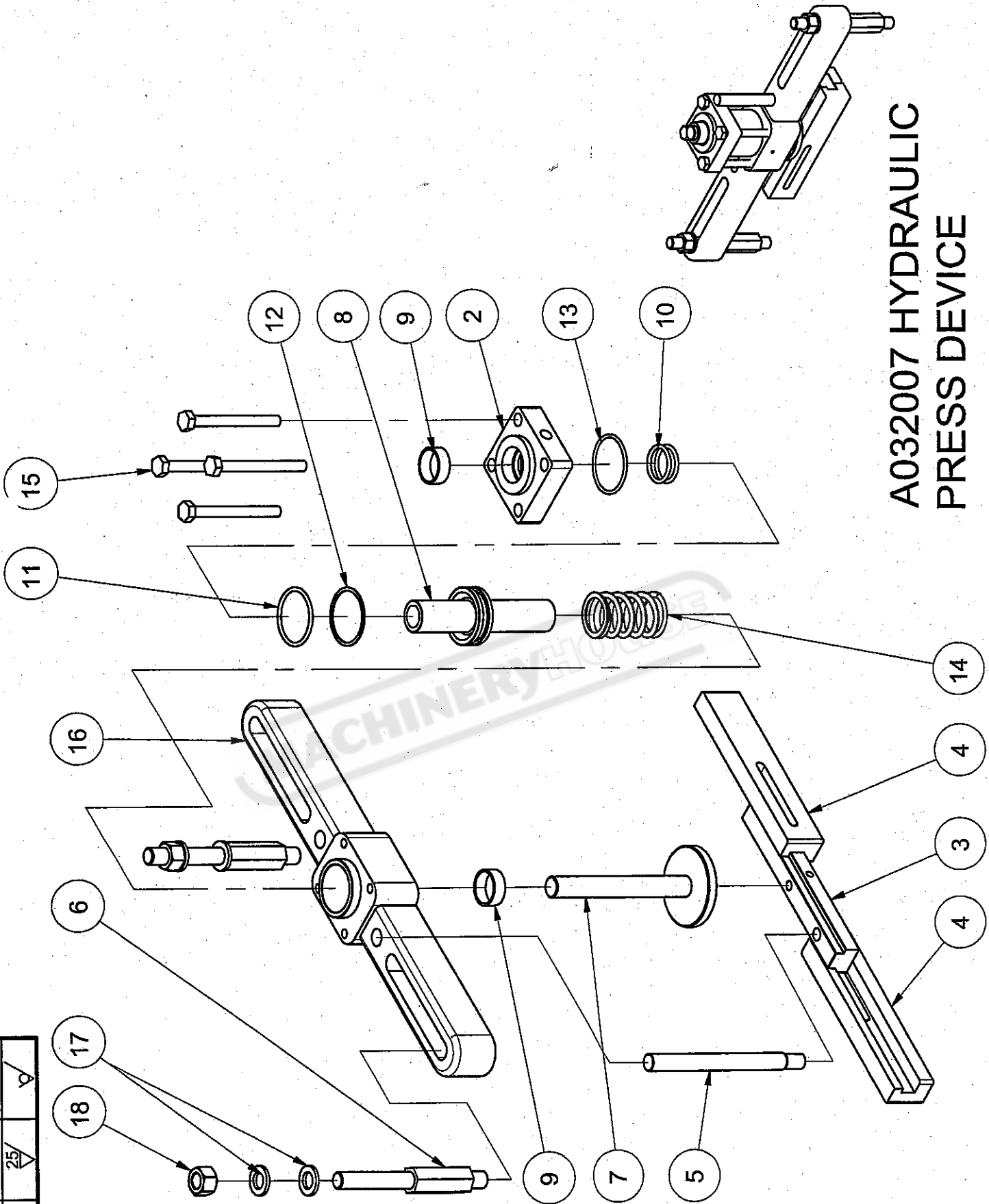


A032006 MOTOR
STAND UNIT

NO	QTY	TYPE	DESCRIPTION	NO	QTY	TYPE	DESCRIPTION
1	1	7.5HP-132S	MOTOR				
2	1	H03220200	MOTOR STAND				
3	1	H03221600	ADJUSTING SCREW				
4	1	H03221400	PIN				
5	1	H03220100	BASE				
6	1	H03221000	SHAFT				
7	2	20x1.2	C TYPE RETAINING RING				
8	1	M12	HEX NUT				
9	2	25x1.2	C TYPE RETAINING RING				
10	2	M18	GASKET				
11	1	18x1.2	C TYPE RETAINING RING				
12							
13							
14							
15							
16							
17							
18							
19							
20							
21							
22							
23							
24							
25							

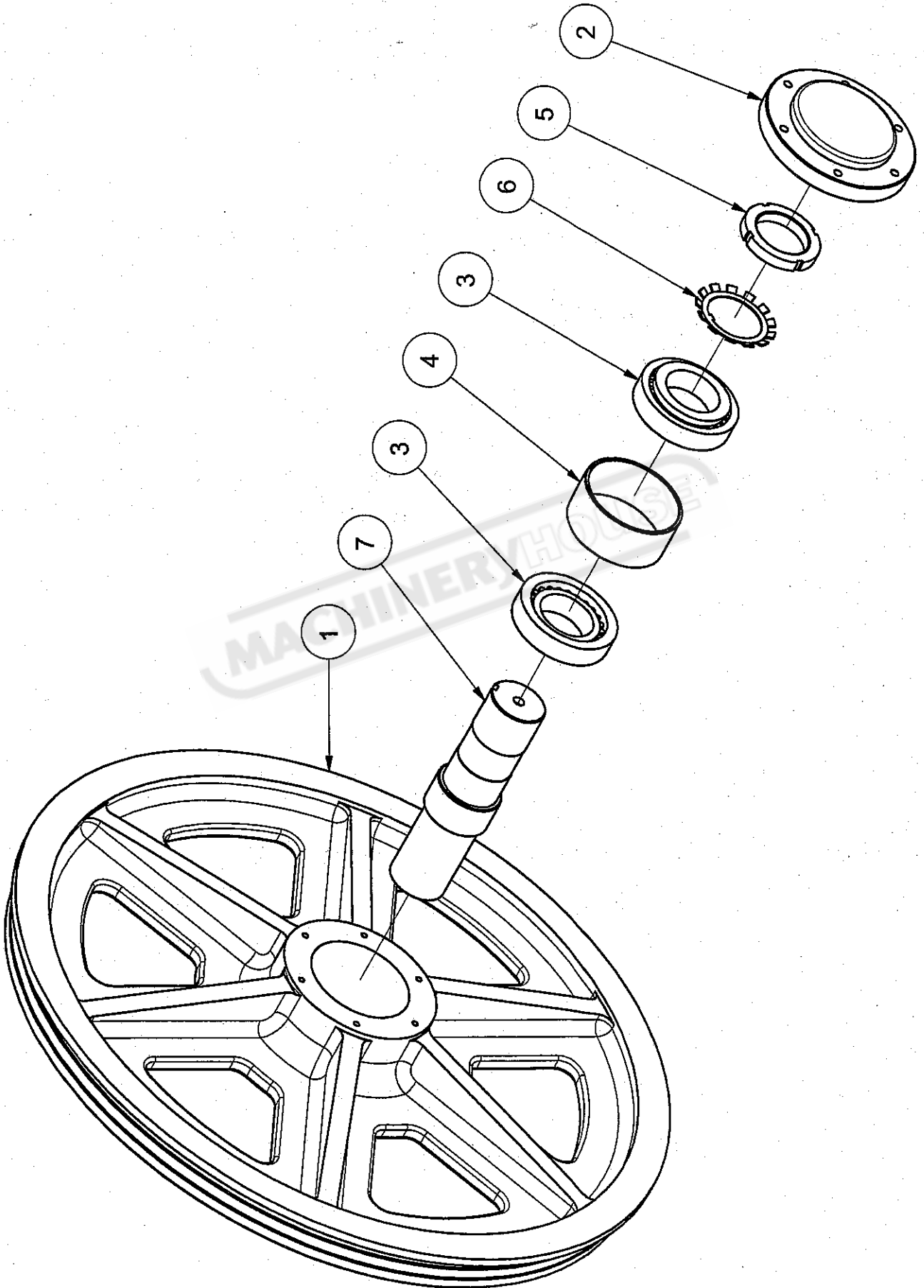
A032006 MOTOR STAND UNIT

A032007 HYDRAULIC PRESS DEVICE



▽▽▽▽	0.2	▽▽▽	1.6	▽▽	6.3	▽	25	~	▽
------	-----	-----	-----	----	-----	---	----	---	---

A032008 DRIVEN PULLEY UNIT

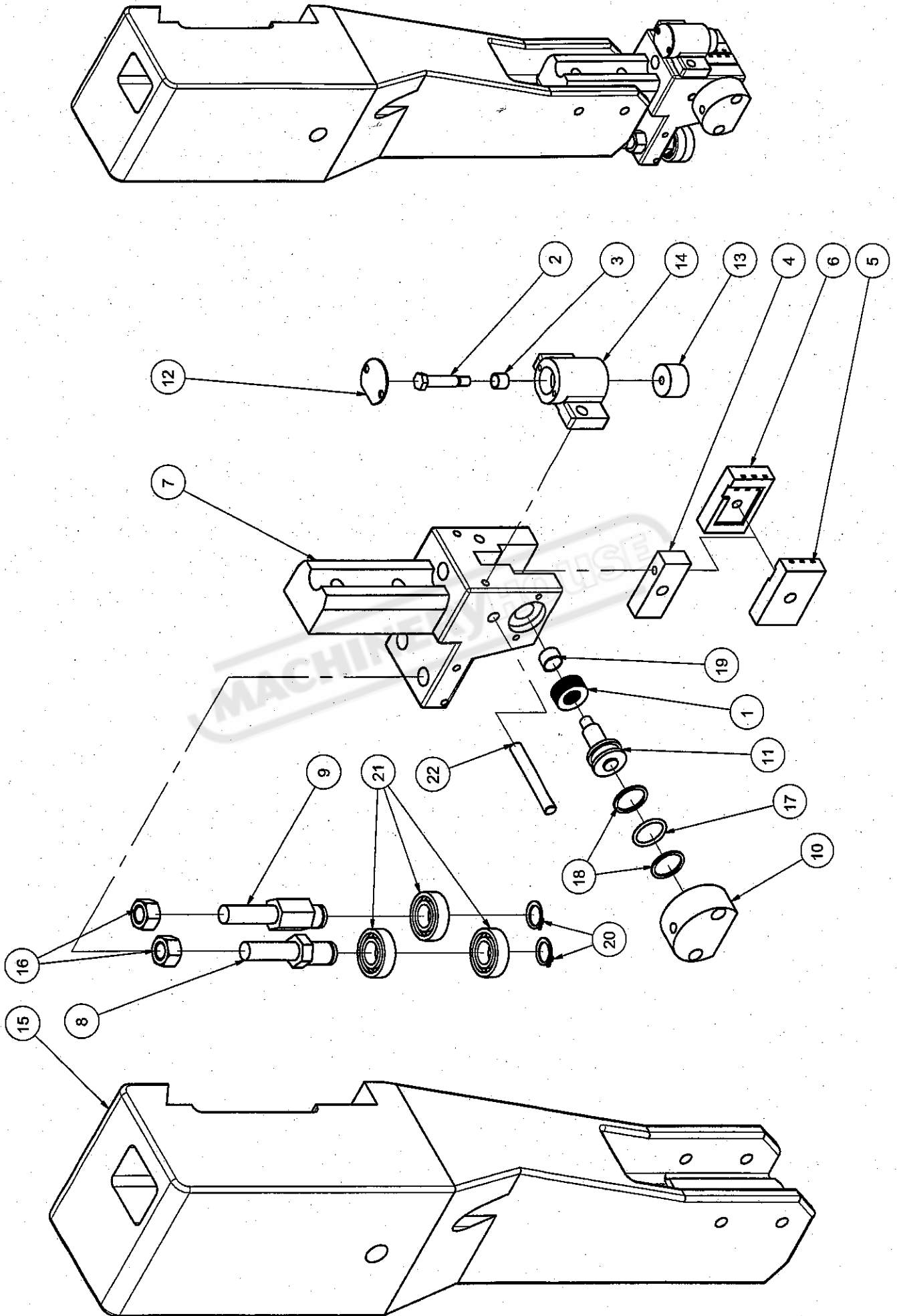


▽▽▽	0.2	▽	~
▽▽▽	1.6	▽	▽
▽▽	6.3	▽	25
▽		▽	

NO	QTY	TYPE	DESCRIPTION	NO	QTY	TYPE	DESCRIPTION
1	1	H03240200	DRIVED PULLEY				
2	1	B02040600	BEARING COVER				
3	2	E32210J	CYLINDRICAL ROLLER BEARING				
4	1	B02044000	SPACER RING				
5	1	AN10	BEARING NUT				
6	1	AW10	GASKET				
7	1	H03221300	SHAFT				
8							
9							
10							
11							
12							
13							
14							
15							
16							
17							
18							
19							
20							
21							
22							
23							
24							
25							

A032008 DRIVED PULLEY UNIT

A032009 LEFT GUIDE ARM UNIT

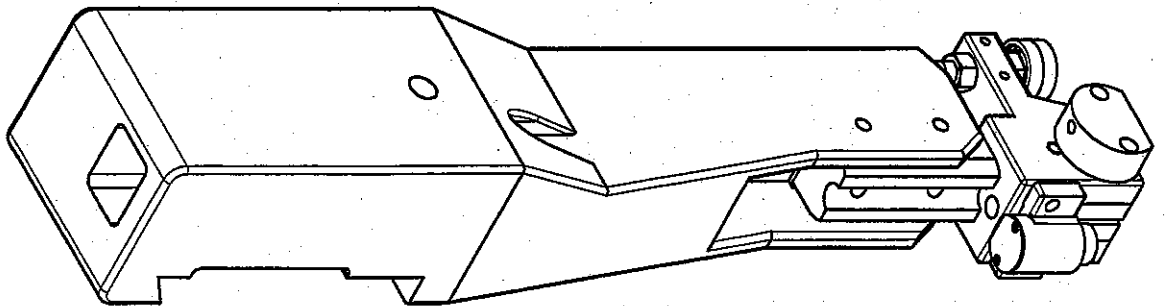
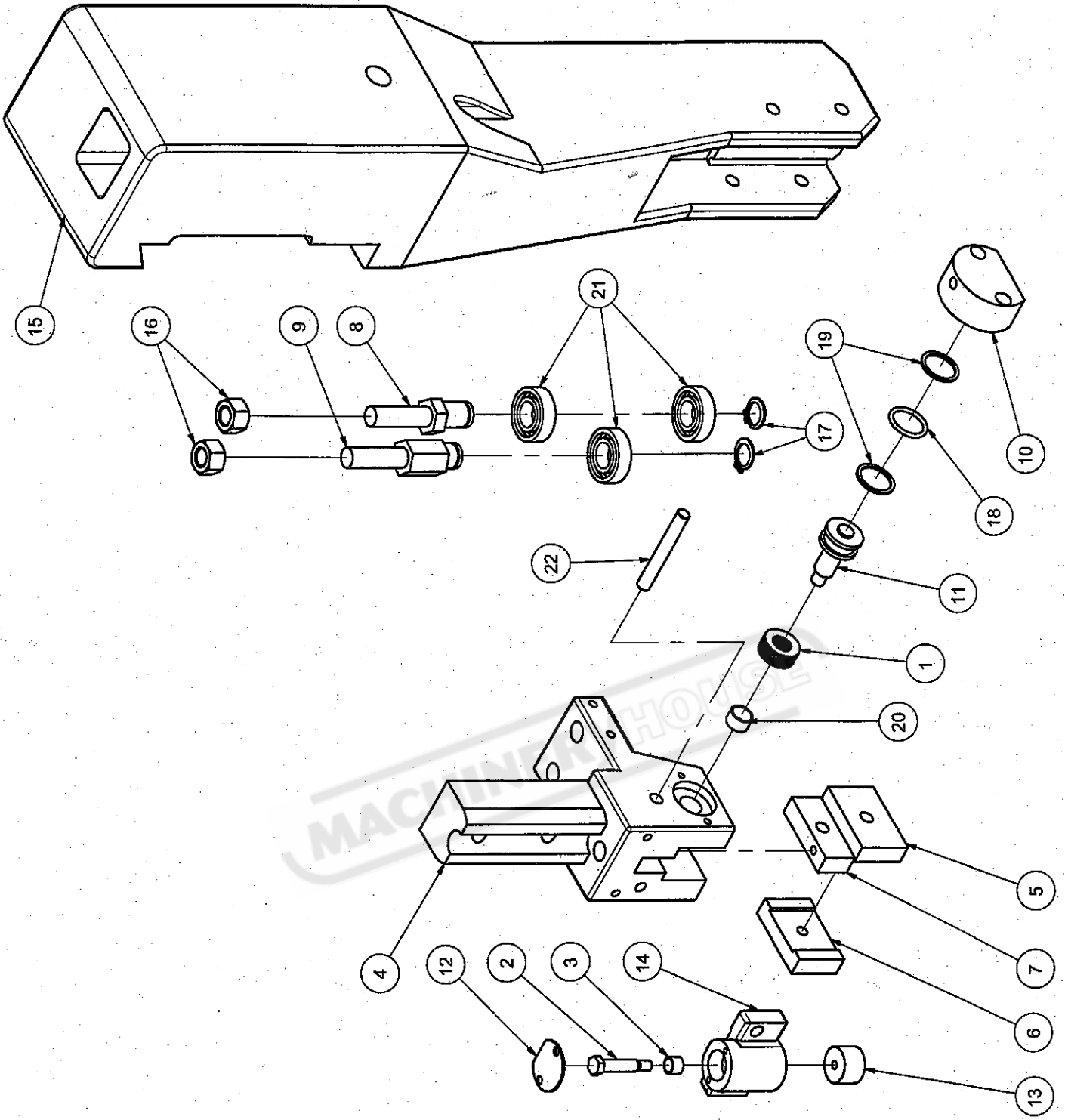


▽▽▽	0.2	▽
▽▽	1.6	▽
▽▽	6.3	▽
▽	25	▽
~		▽

NO	QTY	TYPE	DESCRIPTION	NO	QTY	TYPE	DESCRIPTION
1	5	Ø 12.2 x Ø 23 x 1t	DISC SPRING				
2	1	200103500	STEEL BRUSH SHAFT				
3	1	200104000	BEARING SLEEVE				
4	1	B02041100	UPPER CARBIDE FIXTURE				
5	1	B02041300	LEFT FRONT CARBIDE FIXTURE				
6	1	B02041400	LEFT BACK CARBIDE FIXTURE				
7	1	B02043800	LEFT GUIDE WHEEL BASE (HYDRAULIC)				
8	1	B02044100	SHORT ECCENTRIC SHAFT				
9	1	B02044200	LONG ECCENTRIC SHAFT				
10	1	B02062600	CYLINDER				
11	1	B02062700	PISTON				
12	1	B02113600	COVER				
13	1	B02141400	ANTI-VIBRATION PAD				
14	1	B02141300	ANTI-VIBRATION BASE				
15	1	H03240600	LEFT GUIDE ARM				
16	2	M12	HEX NUT				
17	1	P20	O RING				
18	2	TP20	BACKING UP RING				
19	1	2DU1208	LUBRICATING BEARING				
20	2	Ø 15	C TYPE RETAINING RING				
21	3	6002	BALL BEARING				
22	1	Ø 8 x 60L	STRAIGHT PIN				
23							
24							
25							

A032009 LEFT GUIDE ARM UNIT

A032010 RIGHT GUIDE ARM UNIT

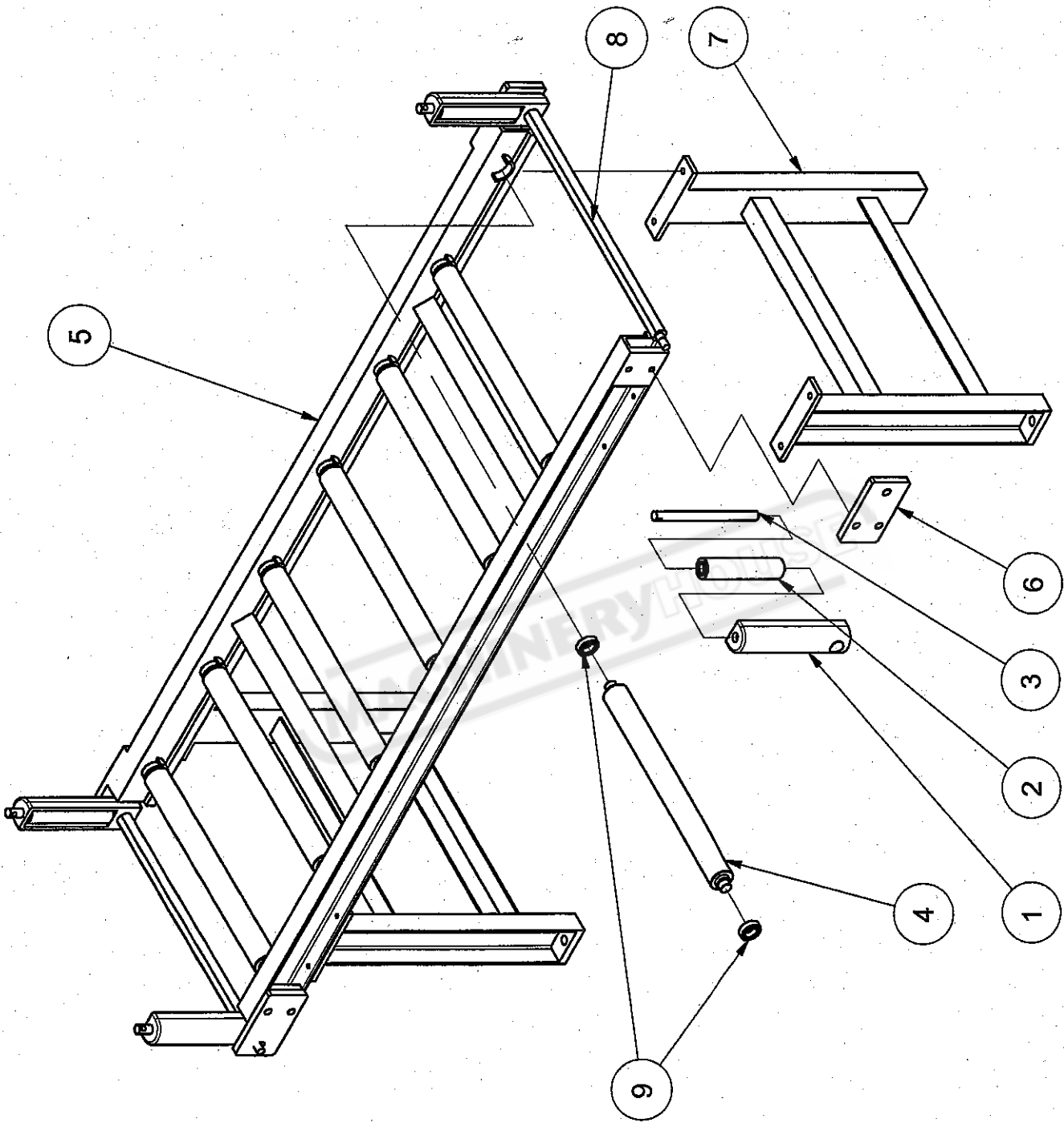


MACHINE SHOP

~	∇	∇	∇
∇	∇	∇	∇
∇	∇	∇	∇
∇	∇	∇	∇

NO	QTY	TYPE	DESCRIPTION	NO	QTY	TYPE	DESCRIPTION
1	4	φ 12.2 x φ 23 x 1t	DISC SPRING				
2	1	200103500	STEEL BRUSH SHAFT				
3	1	200104000	BEARING SLEEVE				
4	1	B02043700	RIGHT GUIDE WHEEL BASE (HYDRAULIC)				
5	1	B02040900	RIGHT FRONT CARBIDE FIXTURE				
6	1	B02041000	RIGHT BACK CARBIDE FIXTURE				
7	1	B02041100	UPPER CARBIDE FIXTURE				
8	1	B02044100	SHORT ECCENTRIC SHAFT				
9	1	B02044200	LONG ECCENTRIC SHAFT				
10	1	B02062600	CYLINDER				
11	1	B02062700	PISTON				
12	1	B02113600	COVER				
13	1	B02141400	ANTI-VIBRATION PAD				
14	1	B02141300	ANTI-VIBRATION BASE				
15	1	H03240700	RIGHT GUIDE ARM				
16	2	M12	HEX NUT				
17	2	φ 15	C TYPE RETAINING RING				
18	1	P20	O RING				
19	2	TP20	BACKING UP RING				
20	1	2DU1208	LUBRICATING BEARING				
21	3	6002	BALL BEARING				
22	1	φ 8 x 60L	STRAIGHT PIN				
23							
24							
25							

A032010 RIGHT GUIDE ARM UNIT

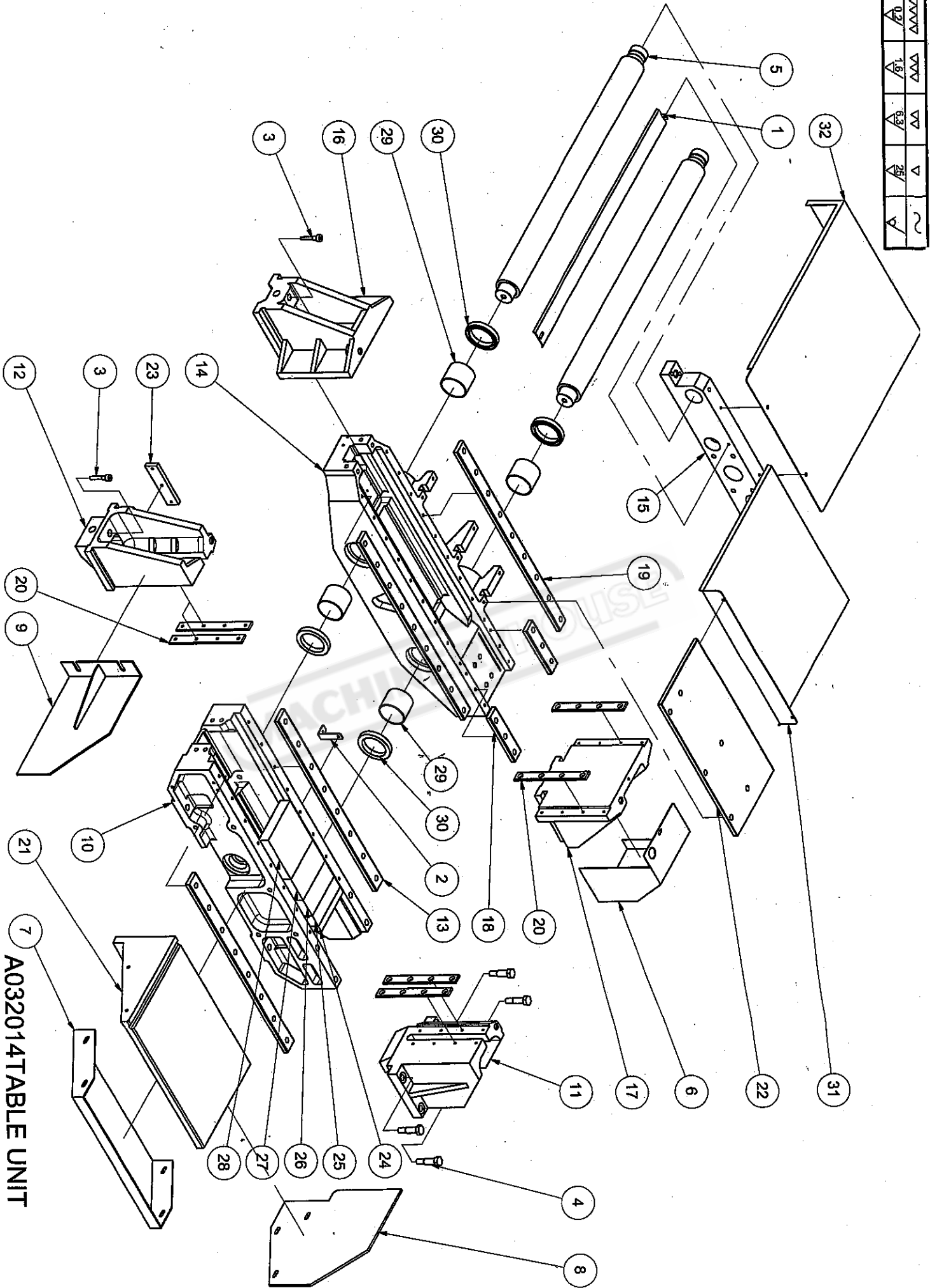


A032011 BACK MATERIAL HOLDER

NO	QTY	TYPE	DESCRIPTION	NO	QTY	TYPE	DESCRIPTION
1	4	B02132200	COVER				
2	4	B02132500	VERTICAL ROLLER				
3	4	B02141100	SHAFT				
4	7	H03230900	FEED ROLLER				
5	1	H03250100	RACK				
6	2	H02250100-2	BLOCK				
7	2	H03250200	STAND				
8	2	H03250300	ADJUSTING ROD				
9	14	6005	BALL BEARING				
10							
11							
12							
13							
14							
15							
16							
17							
18							
19							
20							
21							
22							
23							
24							
25							

A032011 BACK MATERIAL HOLDER

▽▽▽	▽▽	▽▽	▽	▽
0.2/	1.6/	6.3/	25/	▽

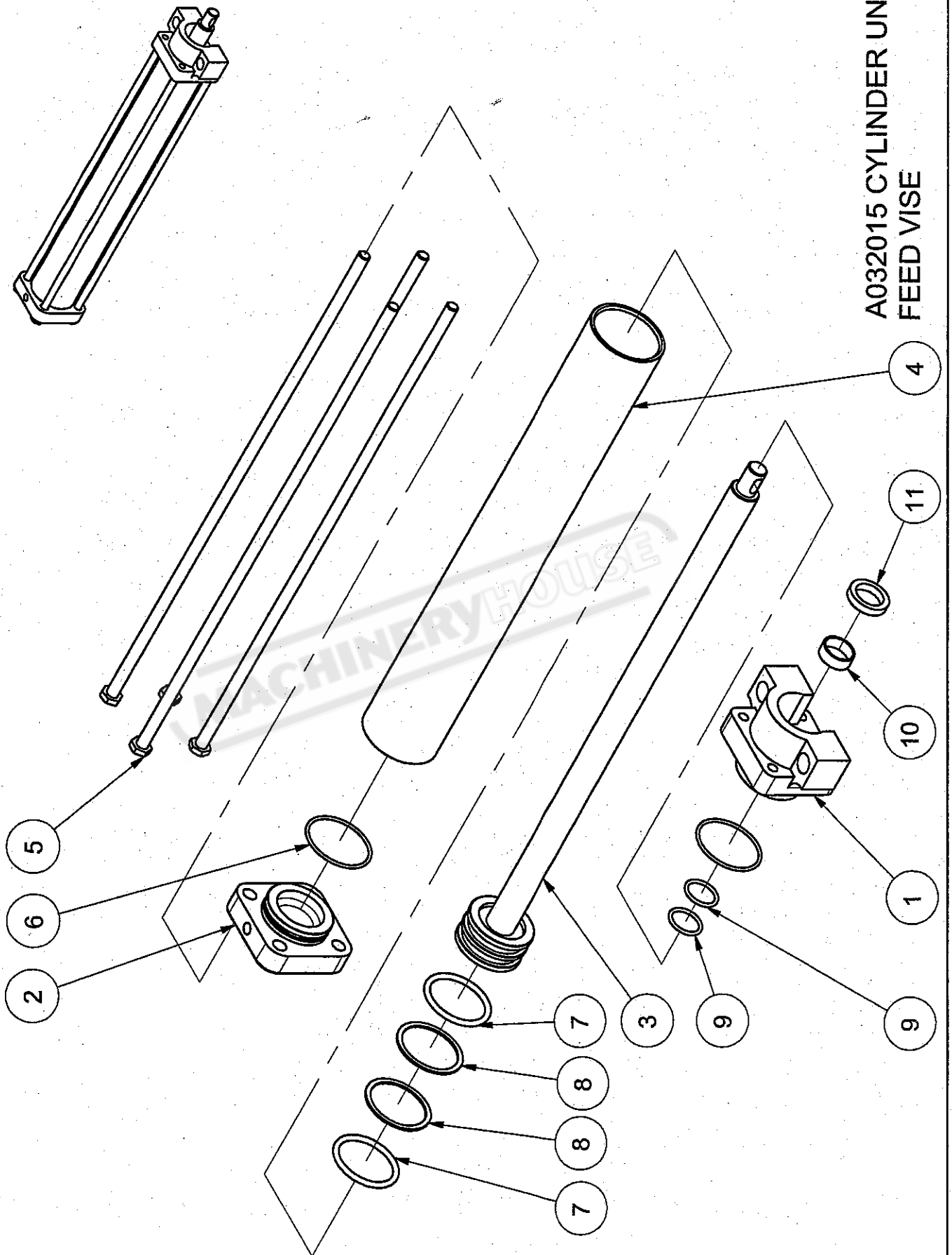


A032014 TABLE UNIT
(FULL STROKE CLAMPING VISE)

NO	QTY	TYPE	DESCRIPTION	NO	QTY	TYPE	DESCRIPTION
1	1	B02110300	PROTECTING COVER	26	1	H03232600-3	
2	1	B02113100	BRACKET	27	1	H03232600-4	
3	2	B02130200	SCREW OF FIXING PIN	28	1	H03232600-5	
4	4	B02130700	LOCATING SCREW	29	4	2DU7060	LUBRICATING BEARING
5	2	B02131101	GUIDE COLUMN	30	4	D95-d70-B13	OIL SEAL
6	1	H03211700	PROTECTING COVER	31	1	H03211600	PLATE
7	1	H03211800	ANTI-SPLASH PLATE	32	1	H03211500	PLATE
8	1	H03212000	ANTI-FALLING PLATE				
9	1	H03212100	MATERIAL HOLDING VISE				
10	1	H03230100	FIXING TABLE				
11	1	H03230200	FIXING VISE				
12	1	H03230500	MOVABLE VISE				
13	2	H03230600	WEARING PLATE				
14	1	H03230800	MOVABLE TABLE				
15	1	H03231200	BASE				
16	1	H03231300	FEED VISE				
17	1	H03231400	FLOATING SHUTTLE VISE				
18	2	H03231500	SHORT WEARING PLATE				
19	2	H03231700	WEARING PLATE				
20	6	H03231800	STEEL PLATE				
21	1	H03232000	MATERIAL HOLDING RACK				
22	1	H03232300	MATERIAL HOLDING PLATE				
23	1	H03232500	PLATE				
24	1	H03232600	STEEL PLATE				
25	1	H03232600-2					

A032014 TABLE UNIT

0.2/	1.6/	6.3/	25/	∇

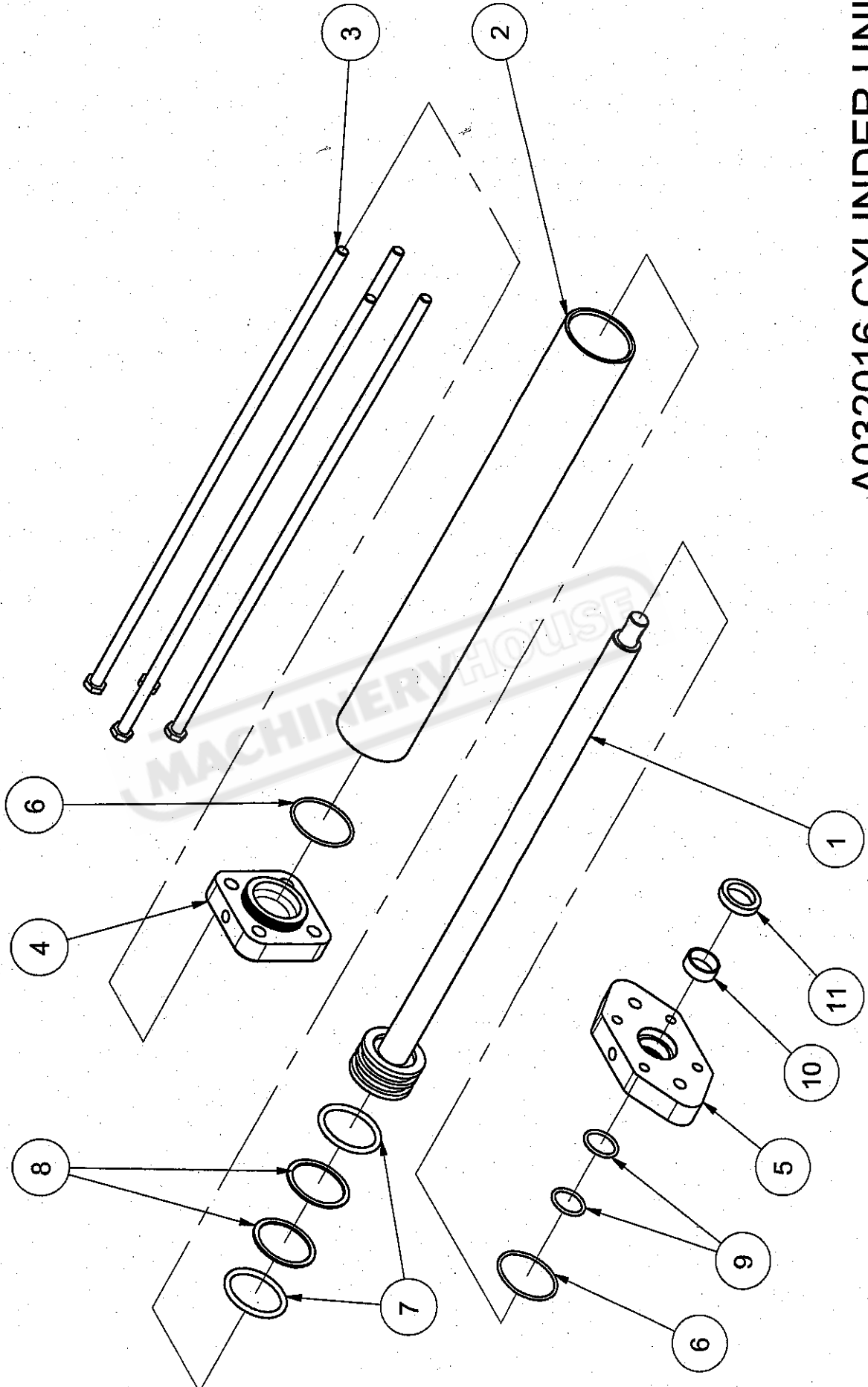


A032015 CYLINDER UNIT OF
FEED VISE

NO	QTY	TYPE	DESCRIPTION	NO	QTY	TYPE	DESCRIPTION
1	1	H03262000	FRONT COVER				
2	1	B02162000	BACK COVER				
3	1	H03260500	PISTON BAR				
4	1	H03260600	CYLINDER				
5	4	H03261200	LONG SCREW				
6	2	G65	O RING				
7	2	P60	O RING				
8	2	P60	BACKING UP RING				
9	2	P30	O RING				
10	1	2DU3012	LUBRICATING BEARING				
11	1	D42-d30-B8	OIL SEAL				
12							
13							
14							
15							
16							
17							
18							
19							
20							
21							
22							
23							
24							
25							

A032015 CYLINDER UNIT OF FEED VISE

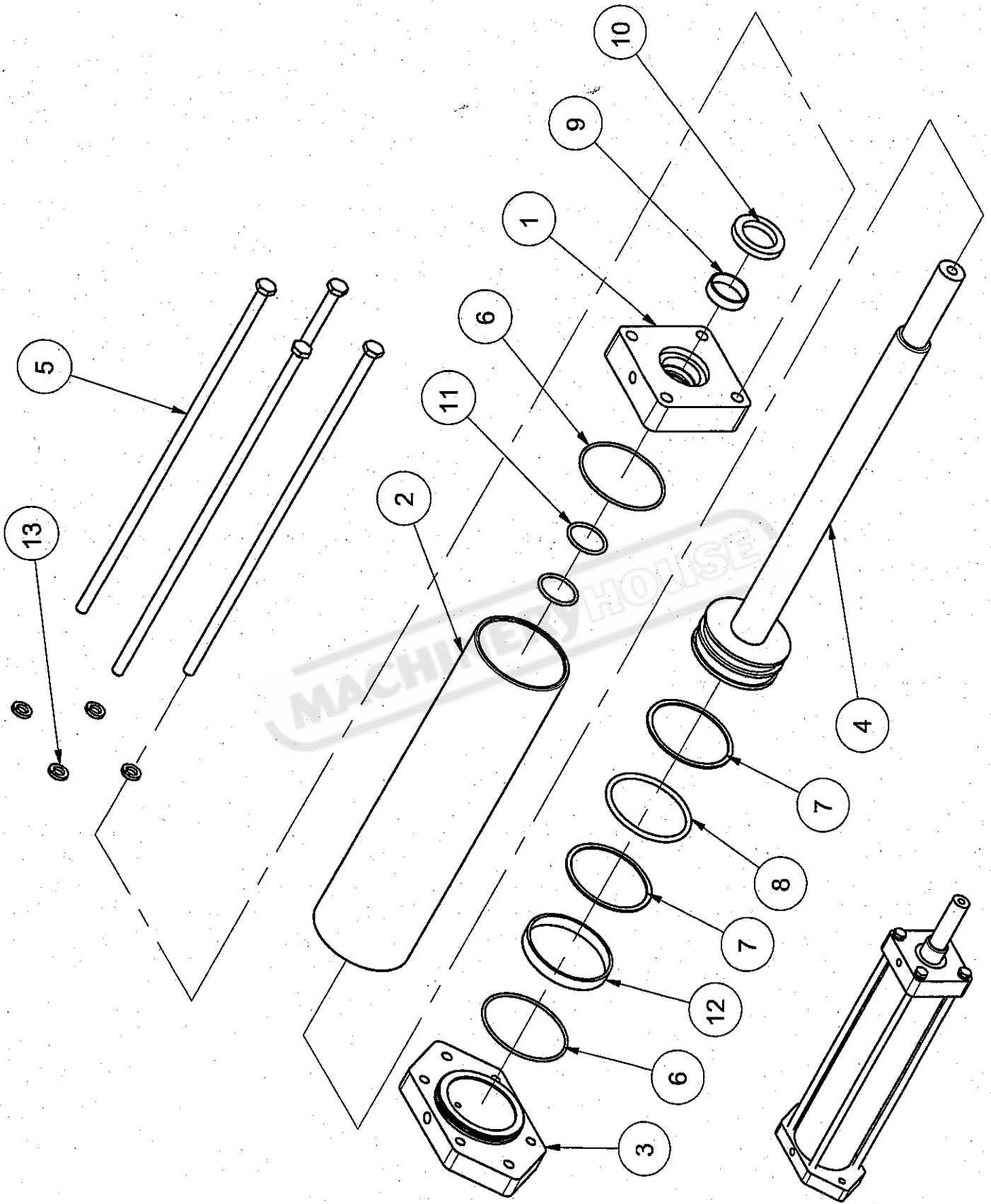
A032016 CYLINDER UNIT OF TABLE VISE



▽▽▽▽	▽▽	▽	~
0.2/▽	1.6/▽	6.3/▽	25/▽

NO	QTY	TYPE	DESCRIPTION	NO	QTY	TYPE	DESCRIPTION
1	1	H03260300	PISTON				
2	1	H03260400	CYLINDER				
3	4	H03261400	LONG SCREW				
4	1	H03261000	BACK COVER				
5	1	H03260900	FRONT COVER				
6	2	G60	O RING				
7	2	P55	O RING				
8	2	TP55	BACKING UP RING				
9	2	P30	O RING				
10	1	2DU3012	LUBRICATING BEARING				
11	1	D42-d30-B8	OIL SEAL				
12							
13							
14							
15							
16							
17							
18							
19							
20							
21							
22							
23							
24							
25							

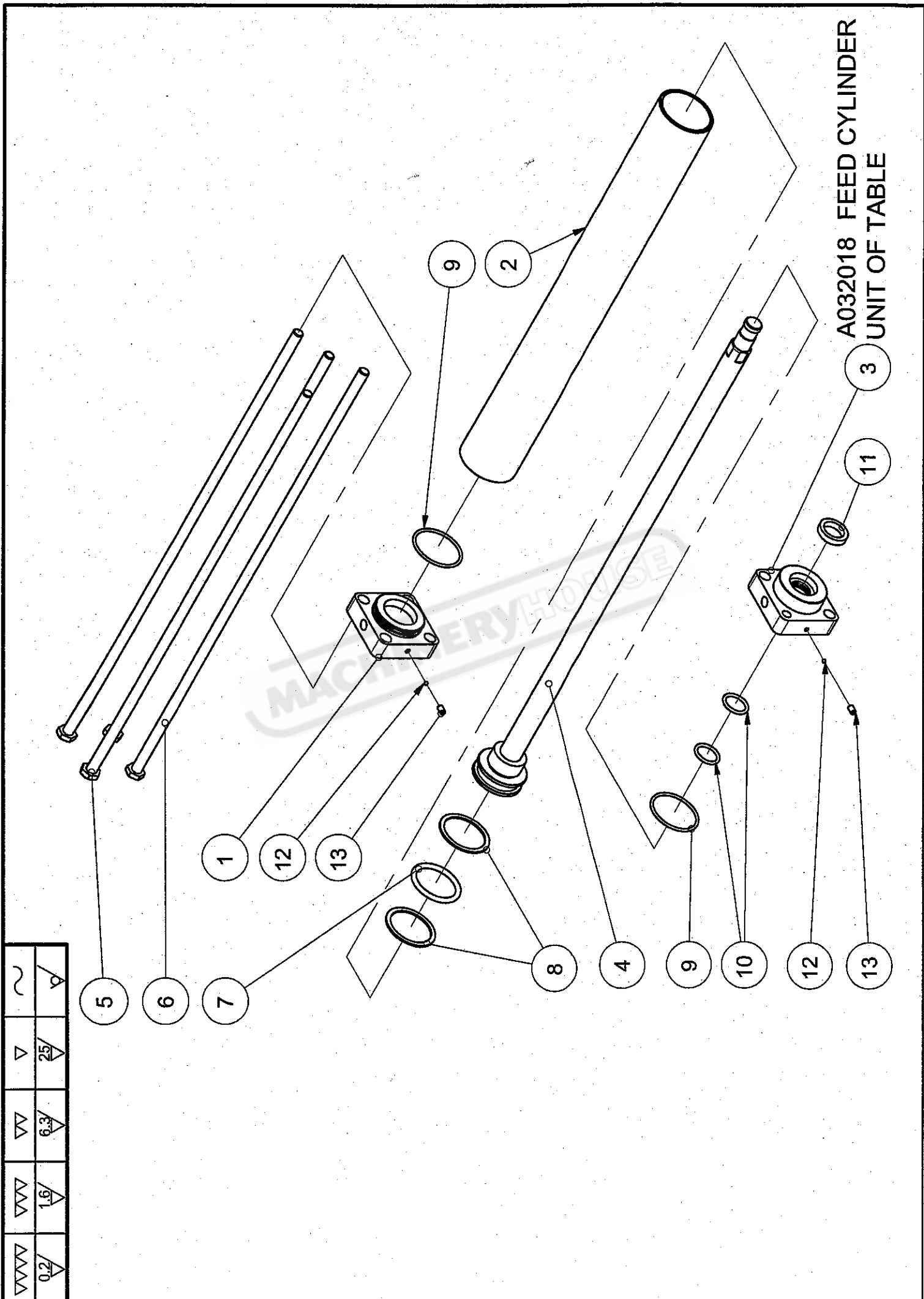
A032016 CYLINDER UNIT OF TABLE VISE



A032017 LIFTING CYLINDER UNIT

NO	QTY	TYPE	DESCRIPTION	NO	QTY	TYPE	DESCRIPTION
1	1	B02061300	UPPER COVER				
2	1	H02260100	CYLINDER				
3	1	B02061100	UNDER COVER				
4	1	H02260300	PISTON				
5	4	H02260200	LONG SCREW				
6	2	G95	O RING				
7	2	TP90	BACKING UP RING				
8	1	P90	O RING				
9	1	2DU4012	LUBRICATING BEARING				
10	1	4TC40-58-8	TC OIL SEAL				
11	2	P40	O RING				
12	1	MWR100	WEARING RING				
13	4	M12	SPRING WASHER				
14							
15							
16							
17							
18							
19							
20							
21							
22							
23							
24							
25							

A032017 LIFTING CYLINDER UNIT

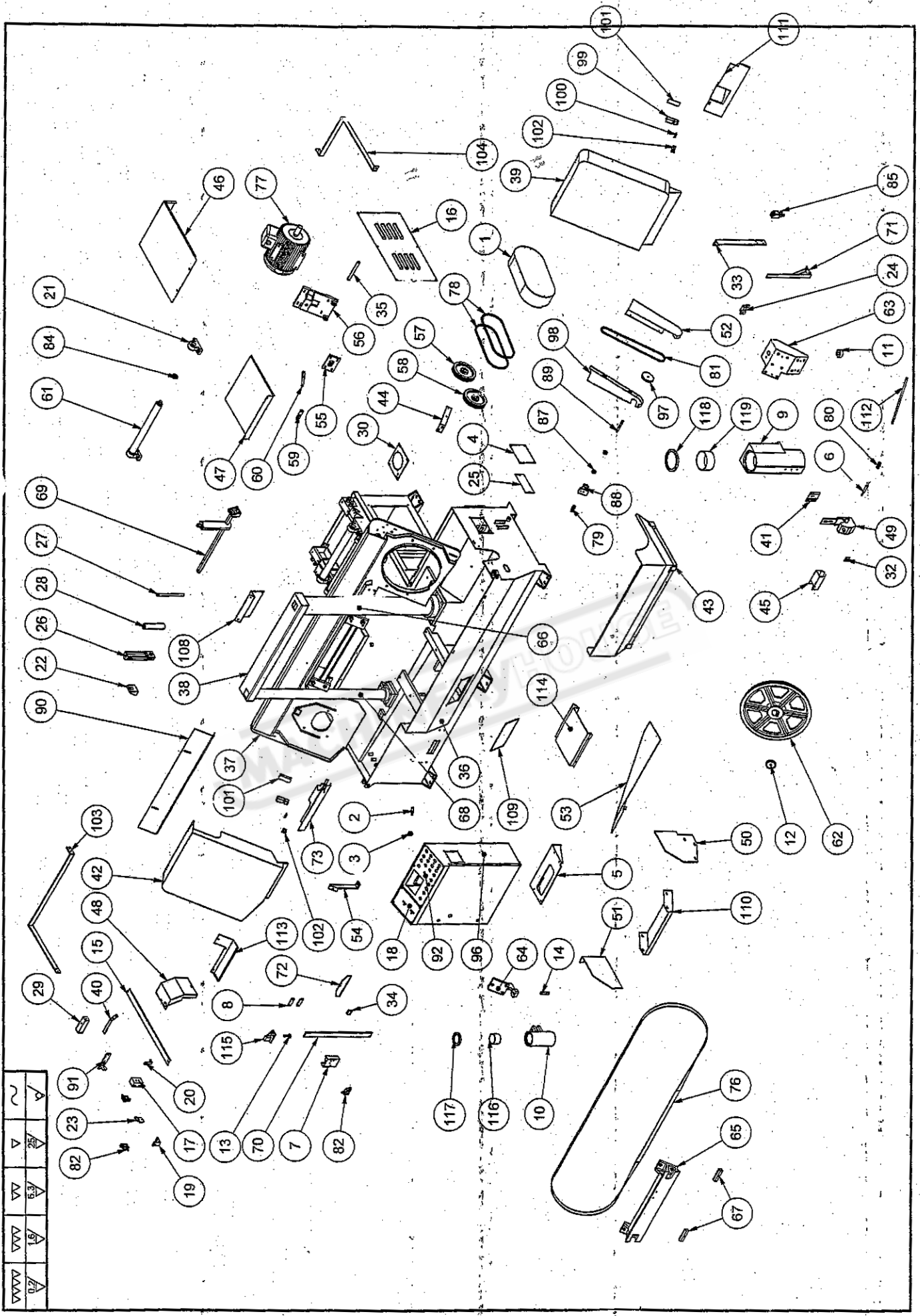


A032018 FEED CYLINDER
UNIT OF TABLE

▽▽▽	▽▽	▽▽	▽	~
0.2/▽	1.6/▽	6.3/▽	25/▽	▽

NO	QTY	TYPE	DESCRIPTION	NO	QTY	TYPE	DESCRIPTION
1	1	H03262100	BACK COVER				
2	1	H03262400	CYLINDER				
3	1	H03262200	FRONT COVER				
4	1	H03262300	PISTON				
5	2	H03261400	LONG SCREW				
6	2	H03262500	LONG SCREW				
7	1	P50A	O RING				
8	2	TP50A	BACKING UP RING				
9	2	G55	O RING				
10	2	P25	O RING				
11	1	D35-d25-B7	OIL SEAL				
12	2	∅ 4mm	STEEL BALL				
13	2	M6 x 10L	SOCKET SET SCREW				
14							
15							
16							
17							
18							
19							
20							
21							
22							
23							
24							
25							

A032018 FEED CYLINDER UNIT OF TABLE



~	∇	∇	∇
∇	∇	∇	∇
∇	∇	∇	∇
∇	∇	∇	∇

A032023 零件图

NO	Q'TY	TYPE	DESCRIPTION	NO	Q'TY	TYPE	DESCRIPTION
1	1	A032005	COVER	26	2	B02132200	OUT COVER
2	4	B01040200	ADJUSTING SCREW	27	2	B02141100	SHAFT
3	4	B01040300	FIXING SCREW	28	2	B02132500	VERTICAL ROLLER
4	2	B02011000	PLATE	29	1	B02162100	JOINT
5	1	B02012600	BASE	30	1	H03213400	WATER TANK COVER
6	1	B02023200	SHAFT	31	1	B02163800	NET
7	1	B02041700	BASE	32	1	H02213600	PLATE
8	2	B02042100	DU PLATE	33	1	H02214600	SWITCH BASE
9	1	B02043000	SLIDING TUBE	34	1	H02215700	BLOCK
10	1	B02043100	SECONDARY SLIDING TUBE	35	1	H03221000	SHAFT
11	1	B02043200	ADJUSTING SCREW	36	1	H03210100	BASE
12	1	B02043300	WASHER	37	1	H03210200	SAW BOW
13	1	B02043900	ADJUSTING SCREW	38	1	H03210400	CONNECTING ROD
14	1	B02044300	PIN	39	1	H03210500	COVER (DRIVING WHEEL)
15	1	B02110300	PROTECTOR	40	1	H03210600	PLATE
16	2	B02110400	PLATE	41	1	H03210700	BASE
17	1	B02111300	SWITCH BASE	42	1	H03210800	COVER (DRIVED WHEEL)
18	1	B02112301	ELECTRICAL CABINET	43	1	H03211000	PLATE
19	1	B02112800	PLATE	44	1	H03211100	PLATE
20	1	B02113100	BRACKET	45	1	H03211300	PROTECTOR
21	6	B02132400	ROLLER BASE	46	1	H03211500	PLATE
22	2	B02140800	BASE	47	1	H03211600	PLATE
23	1	B02114000	SWITCH BASE	48	1	H03211700	PROTECTOR
24	1	B02013900	SWITCH BASE	49	1	H03211900	COVER
25	1	B02015600	PLATE	50	1	H03212000	PLATE

A032023 METAL STRUCTURE

NO	QTY	TYPE	DESCRIPTION	NO	QTY	TYPE	DESCRIPTION
51	1	H03212100	WISE	76	1	5450x41x1.3	SAW BLADE
52	1	H03212300	COVER	77	1	7.5hp-132s	MOTOR
53	1	H03212700	PLATE	78	2	3Vx500	BELT
54	1	H03213200	PLATE	79	4	5UJ-NJ12	CROSS COUPLING
55	1	H03220100	BASE	80	2	5UJ	CROSS COUPLING
56	1	H03220200	MOTOR STAND	81	1	3M510L	BELT
57	1	H03220300	BELT PULLEY	82	3	AZ7310-1	LIMIT SWITCH
58	1	H03220400	BELT PULLEY	84	6	6005	BALL BEARING
59	1	H03221400	PIN	85	1	WL CA2-Q-1	LIMIT SWITCH
60	1	H03221600	ADJUSTING SCREW	86	1	WL CA2-Q	LIMIT SWITCH
61	3	H03230900	FEED ROLLER	87	2	6201	BALL BEARING
62	1	H03240100	DRIVING WHEEL	88	1	H03221800	BASE
63	1	H03240300	CONNECTING BASE	89	1	B02022200	SHAFT
64	1	H03240400	ADJUSTING BASER	90	1	H03213300	PROTECTOR
65	1	H03240500	GUIDE WAY	91	1	H03212900	PLATE
66	1	H03240800	VERTICAL MAIN COLUMN	92	1	B02112300-1	PLATE
67	2	H03240900	BLOCK	93	1	B02112300-2	ELECTRICAL CABINET
68	1	H03241000	ADJUTANT COLUMN	94	1	B02112300-3	ELECTRICAL CABINET
69	1	H03241100	ADJUSTING ROD	95	1	N022	NC CONTROL PANEL
70	1	H03241500	FAST DOWN ROD	96	1	N022-NC	NC CONTROL PANEL
71	1	H03212200	PLATE	97	1	H03221700	BELT PULLEY
72	1	H03242000	PLATE	98	1	H03212400	COVER
73	1	H03211400	PROTECTOR	99	2	E100-01-S51	SWITCH
74	1	H03211400-1	PROTECTOR	100	2	E100-01-S51	PIN
75	1	H03212500	PLATE	101	2	H03213800	SWITCH BASE

A032023 METAL STRUCTURE

